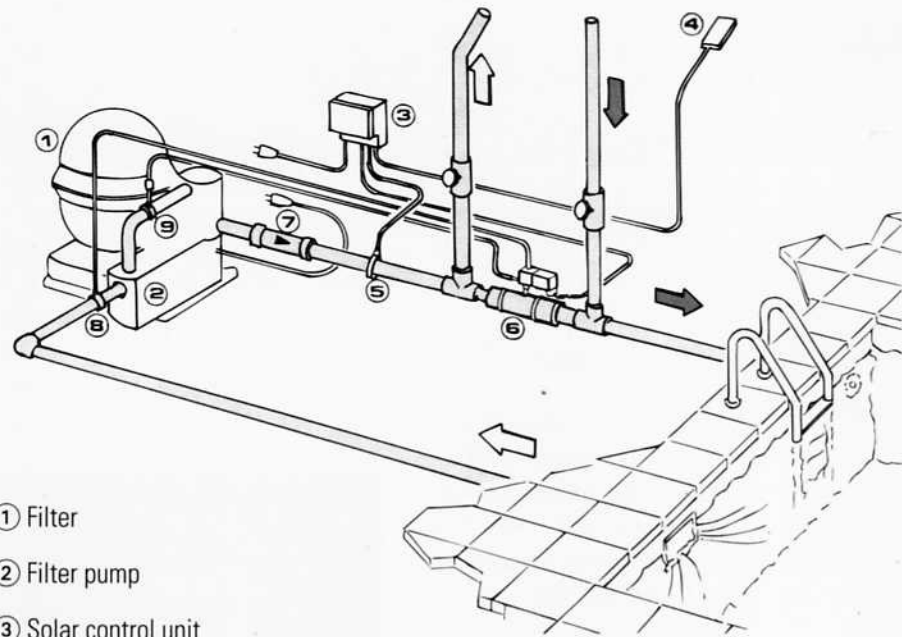
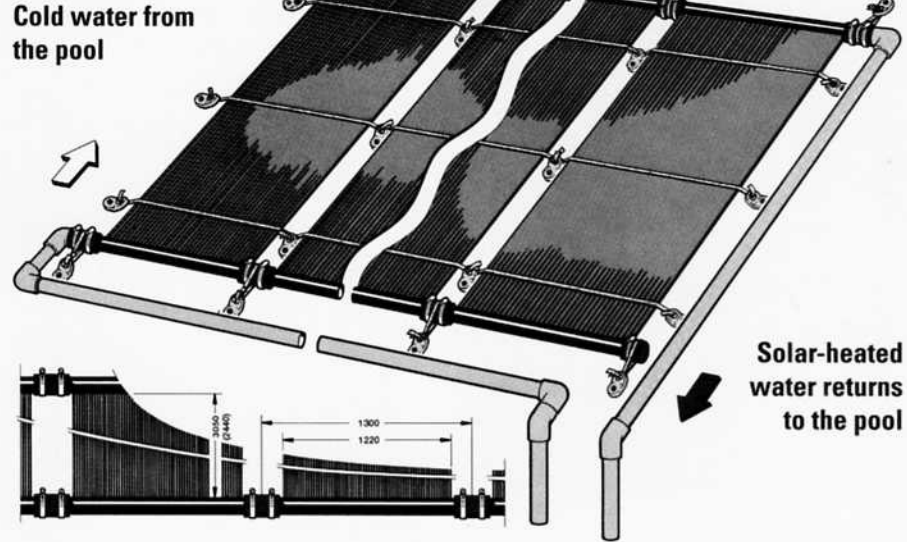


The return pipe from the solar panel is fitted into the pool circuit after the hydraulic pinch valve using a T-fitting. A second T-fitting is inserted into the system between the filter and the pinch valve.

The pinch valve is controlled by an electronic temperature control system. The control unit receives information from a solar sensor and a water sensor. The former is mounted on the collector and the latter is fitted into the pool circuit. The water sensor measures the temperature of the pool water.

If the solar sensor measures temperature higher than the water sensor the control panel will close the pinch valve thus diverting the flow through the solar panel. The water circuit will then follow from the filter through the solar panel and back to the pool.

No additional electricity costs arise, since the solar panel is supplied via the filter pump which will be operating in any case.



- ① Filter
- ② Filter pump
- ③ Solar control unit
- ④ Solar sensor
- ⑤ Water sensor
- ⑥ Hydraulic pinch valve
- ⑦ Check valve
- ⑧ Exhaust tap connection
- ⑨ Pressure tap connection